

GENERAL CHARACTERISTICS



Piston flow switch float measuring principle. The flow working range depends from the differential pressure generated in the flow chamber. The adjustment is very simple and the setting mechanism has a safe locking system.

Electrical connection by DIN 43650-A plug.

- Oil viscosity compensation 30-600 cst
- Flow visual indication
- High switch accuracy
- Hermetic separation of mechanical and electrical components
- Free installation position
- ATEX version available



TECHNICAL DATA Tab.1

DN	Ø	Type	P max Bar	T max °C		Adjustable range l/min 30-600 cst	Code range
				S	H		
008	1/4"	KGV1-008.GM	10	100	160	0,1 - 0,8	001
	015	1/2"					
020	3/4"	KGV1-020.GM	10	100	160	1 - 4	004
	025	1"					
015	1/2"	KGV1-015.GM	10	100	160	3 - 10	010
	020	3/4"					
025	1"	KGV1-025.GM	10	100	160	8 - 24	024
	020	3/4"					
025		1"	KGV1-025.GM	15 - 45	045		
020	3/4"	KGV1-020.GM	10			100	160
	025	1"		KGV1-025.GM	30 - 90		

DN	Thread	UNI 228/1
----	--------	-----------

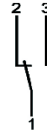
Accuracy	± 10% F.S.
----------	------------

Hysteresis	15% minimum 0,5 l/min
------------	--------------------------

Pressure drop	0,02 to 0,4 bar
---------------	-----------------



Code 0212



Code 0342

Adjustable ranges are indicated for horizontally decreasing flow

MATERIALS Tab.2

	GM	GK
Housing (*)	Anodized aluminium	Anodized aluminium
Sight glass	Duran® 50	Duran® 50
Piston	Brass	St. steel 1.4571
Spring	St. steel 1.4571	St. steel 1.4571

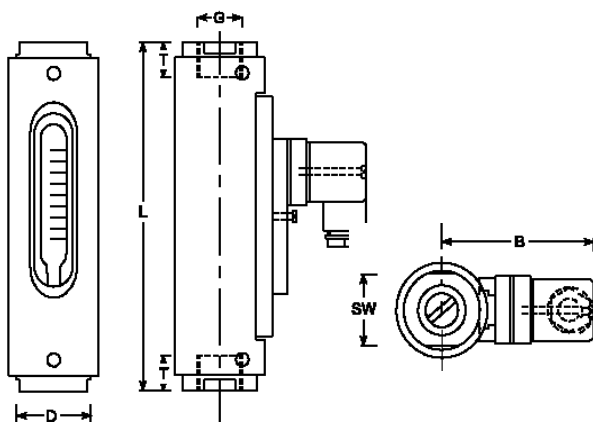
(*) non wetted part

ELECTRICAL DATA Tab.3

Description	Characteristics				
	Contact	Reed	N.A.	250V	3,0A
Electrical entry	Plug	SPDT(*)	250V	1,5A	50VA
			DIN 43650-A	IP65	
			M12x1	IP67	

(*) minimum load 3V

DRAWING



DIMENSIONS - mm

Range	DN	SW	D	B	T	L	Kg
001	08	41	45	99	10	144	0,85
004	20	41	45	99	15	138	0,85
008	15	41	45	99	15	144	0,85
010	20	41	45	99	20	138	0,85
015	25	41	45	99	25	158	0,85
024	20	41	45	99	20	138	0,85
030	20	41	45	99	20	138	0,85
045	25	41	45	99	25	158	0,85
060	25	41	45	99	25	158	0,85
090	25	41	45	99	25	158	0,85

NOMENCLATURE

KGV1	008	GM	002	IP65-S	0212
•					
	•				
		•			
			•		
				•	
					•

	Type
Tab.1	Size and connections thread
Tab.2	Material
Tab.1	Adjustable range
Tab.1-3	Protection class – Temperature class
Tab.1	Wiring – Contact type