

GENERAL CHARACTERISTICS



Piston flow switch float measuring principle. The flow working range depends from the differential pressure generated in the flow chamber. The adjustment is very simple and the setting mechanism has a safe locking system.
Electrical connection by DIN 43650-A plug.

- Oil viscosity compensation 30-600 cst
- Flow visual indication
- High switch accuracy
- Hermetic separation of mechanical and electrical components
- Free installation position



TECHNICAL DATA Tab.1

DN	Ø	Type	P max Bar	T max °C		Adjustable range l/min 30-600 cst	Code Range
				S	H		
015	1/2"	KGV2-015.GM	16	100	160	0,5 - 1,7	002
						0,8 - 2,5	003
						1,3 - 4,0	004
						2,5 - 8,0	008

Adjustable ranges are indicated for horizontally decreasing flow

DN	Thread	UNI 228/1
----	--------	-----------

Accuracy	± 10% F.S.
Hysteresis	15% - minimum 0,5 l/min
Pressure drop	0,02 to 0,2 bar

MATERIALS Tab.2

	GM	GK
Housing (*)	Anodized aluminium	Anodized aluminium
Sight glass	Duran® 50	Duran® 50
Piston	Brass	St. steel 1.4571
Spring	St. steel 1.4571	St. steel 1.4571

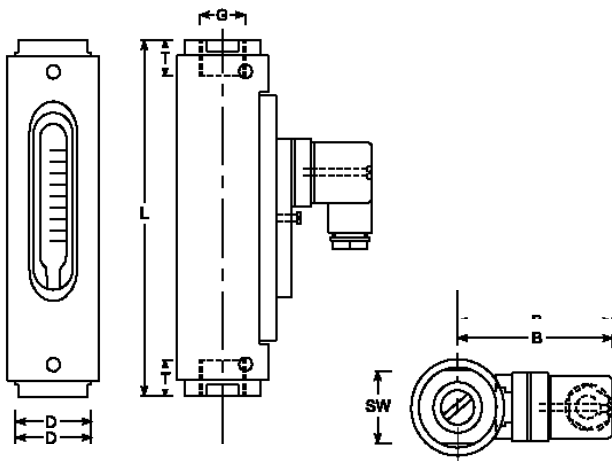
(*) non wetted part

ELECTRICAL DATA Tab.3

Description	Characteristics				
	Contact	Reed	N.A.	250V	3,0A
SPDT(*)				250V	1,5A
Electrical entry	Plug	DIN 43650-A		IP65	
		M12x1		IP67	

(*) minimum load 3V

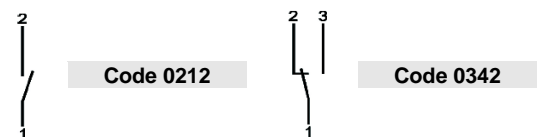
DRAWING



DIMENSIONS - mm

Range	DN	SW	D	B	T	L	Kg
002	015	27	30	70	14	114	0,30
003							
004							
008							

WIRING Tab.4



NOMENCLATURE

KGV2	015	GM	002	IP65-S	0212
•					
	•				
		•			
			•		
				•	
					•

	Type
Tab.1	Size and connections thread
Tab.2	Material
Tab.1	Adjustable range
Tab.1-3	Protection class – Temperature class
Tab.4	Wiring – Contact type