

GENERAL CHARACTERISTICS



Level controls with 1 electrical contact, reliable, compact and easy to install. Designed to offer a range of level switches to meet the request for a cheap monitoring of the level in small tanks. Rugged construction and low maintenance.

- **Stainless steel – AISI 316**
- Easy mounting, threaded or flanged.
- Hermetic and replaceable electrical contact.
- Operating ambient temperature -30 / +55 °C - 90% R.H.
- Minimum degree of protection IP65.



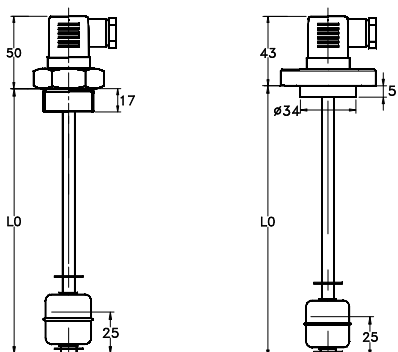
TECHNICAL DATA

Tab.1

	Description									Codice
Float	∅ 30 x 32 mm		P.S. 0, 75			30 Bar			S29	
	∅ 30 x 32 mm		P.S. 0, 55			10 Bar			S32	
Rod length L0 mm	0100	0150	0200	0250	0300	0350	0400	0450	0500	L0.S
Process connection	Threaded		1" UNI 228/1 male thread				SW 40		25GS	
	Flanged		Double fixing (2 or 3 holes)				∅ 55 mm		FSPX	
Process connection	SPST	N.C.	N.A.	Overturning the float of 180°	300 VAC	50W	70VA	0,5A	3	
	SPDT	Changeover contact			350 VDC	20W	20VA	0,7A	7D	
Electrical output	DIN 43650 plug					IP 65			S1	
Max. temperature °C	105°C								L	
Sealing gasket	Viton flat gasket								2	

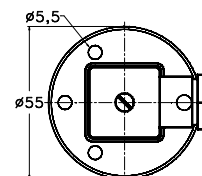
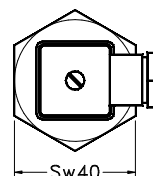
DIMENSIONS

Tab.2



Threaded version
1" UNI-228/1 male

Flanged version
2 holes on ∅43 mm
3 holes on ∅42 mm



WIRING

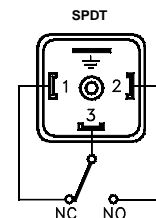
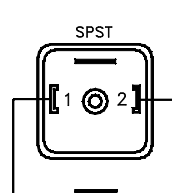
Tab.3

I = Independent C = Common

2 = NC 3 = SPDT

Wiring

Contact status in no level condition



NOMENCLATURE

S1	S29	3	0500	S	25GS	S1	L	2	I2	
•										Type
	•									Tab.1 Float
		•								Tab.1 Electrical contact
			•							Tab.1 Total length = L0 mm.
				•						Tab.1 Rod material
					•					Tab.1 Process connection
						•				Tab.1 Electrical output
							•			Tab.1 Temperature class
								•		Tab.1 Sealing gasket
									•	Tab.3 Wiring