


GENERAL CHARACTERISTICS



The pressure switches 901 series have a diaphragm sensing element and the adjustable measuring range. Suitable for monitoring pressure, vacuum and differential pressure of both liquid and gasses, also aggressive. The calibration is made easy by a knob that allows the gradual adjustment of the alarm threshold and the reset time of the electrical contact.

The electrical contact is SPDT. There are several mounting brackets and electrical protection degree IP44, IP54 or IP65.

- Pressure ranges from 5 ... 20 mbar to 7 ... 12 bar.
- Vacuum pressure ranges from 5 ... 20 mbar to 300 ... 700 mbar.
- Ranges of differential pressure from 5 ... 20 mbar to 10 ... 100 mbar.
- Mechanical and electrical life, minimum 10⁶ cycles.
- Working temperature from 85 °C to 130 °C depending on diaphragm material and process connection.
- Easy calibration.
- Calibration to customer specification on request.
- Executions ATEX  1/2G Exia IIB T4, 2G Exia IIC T4, on request.



PRESSURE SETTING RANGES – 901.60/90 Tab.1

Code	Setting range		Tolerance value %	Hysteresis of the electrical contact		Max. positive pressure bar				Max. negative pressure bar				
	from	to				standard		extended		standard		extended		
901.61	5	20	± 10	3	mbar	0,5	1	4	2	-	1	-1	2	
901.62	10	50	± 10	5	mbar	0,5	1	4	2	-	1	-1	2	
901.63	25	100	± 10	10	mbar	0,5	1	4	2	-	1	-1	2	
901.64	50	250	± 10	20	mbar	1	1	4	2	-	1	-1	2	
901.65	100	500	± 10	50	mbar	1	1	4	2	-	1	-1	2	
901.66	250	1000	± 10	150	mbar	10	1	-	-	-1	1	-	-	
901.67	500	1500	± 10	250	mbar	10	1	-	-	-1	1	-	-	
901.68	1000	3000	± 10	500	mbar	10	1	-	-	-1	1	-	-	
901.91	1,0	6,0	± 10	0,5	2,0	bar	25	1	-	-	-1	1	-	-
901.92	4,0	9,0	± 10	0,5	2,0	bar	25	1	-	-	-1	1	-	-
901.93	7,0	12,0	± 10	0,5	2,0	bar	25	1	-	-	-1	1	-	-

VACUUM SETTING RANGES – 901.70 Tab.2

Code	Setting range		Tolerance value %	Hysteresis of the electrical contact		Max. positive pressure bar				Max. negative pressure bar			
	from	to				standard		extended		standard		extended	
901.71	-5	-20	± 10	3	mbar	0,5	1	4	2	-1	1	-	-
901.72	-10	-50	± 10	5	mbar	0,5	1	4	2	-1	1	-	-
901.73	-25	-100	± 10	10	mbar	0,5	1	4	2	-1	1	-	-
901.74	-50	-125	± 10	20	mbar	0,5	1	4	2	-1	1	-	-
901.75	-75	-200	± 10	25	mbar	1	1	4	2	-1	1	-	-
901.76	-100	-300	± 10	30	mbar	1	1	4	2	-1	1	-	-
901.77	-200	-500	± 10	75	mbar	1	1	4	2	-1	1	-	-
901.78	-300	-700	± 10	75	mbar	1	1	4	2	-1	1	-	-

PRESSURE ΔP SETTING RANGES – 901.80 Tab.3

Code	Adjustable range		Tolerance range %	Differential switching	Max. positive pressure mbar				Max. negative pressure mbar				
	from	to			standard		extended		standard		extended		
901.81	5	20	± 10	3	mbar	100	1	-	-	-100	1	-	-
901.82	10	50	± 10	5	mbar	100	1	-	-	-100	1	-	-

INSTALLATION POSITION – ALL MODELS

Optional, to be specified for calibration below 100 mbar.

TECHNICAL DATA Tab.4

Description	Type									Code
	901.60/90 Pressure			901.70 Vacuum			901.80 Differential pressure - ΔP			
Accuracy	± 10% - standard			± 10% - standard			± 10% - standard			1
	± 5% - on request			± 5% - on request			± 5% on request			2
Diaphragm	NBR			NBR			-			1
	EPDM			EPDM			-			2
	Silicon			Silicon			Silicon			3
	Viton			Viton			-			4
Process connection	See Tab.5			See Tab.5			See Tab.5			-
Ambient temperature	-20 / +85 °C			-20 / +85 °C			20 / +85 °C			-
Standard electrical contact	250Vac	6A	SPDT	250Vac	6A	SPDT	250Vac	6A	SPDT	4
	110Vdc	0,03A		110Vdc	0,03A		110Vdc	0,03A		
Electrical contact on request	250Vac	10A	SPDT	250Vac	10A	SPDT	250Vac	10A	SPDT	5
	12Vdc	0,1A	SPDT	12Vdc	0,1A	SPDT	12Vdc	0,1A	SPDT	1
Electrical connection	Faston 6,3 x 0,8 mm.			Faston 6,3 x 0,8 mm.			Faston 6,3 x 0,8 mm.			-

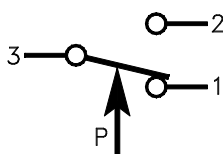
Accessories - options

Protection See Tab.6	Plastic - Cap IP44	Plastic - Cap IP44	Plastic - Cap IP44	6329
	Rubber - Cap IP54	Rubber - Cap IP54	Rubber - Cap IP54	6365
	Plastic - Cap IP54	Plastic - Cap IP54	Plastic - Cap IP54	6371
	Plastic - Cap IP65	Plastic - Cap IP65	Plastic - Cap IP65	6372
	Plastic - DIN plug IP54	Plastic - DIN plug IP54	Plastic - DIN plug IP54	6374
	Plastic - DIN plug IP65	Plastic - DIN plug IP65	Plastic - DIN plug IP65	6375
Mounting bracket Type L - See Tab.6	30x54x22 mm – Ø _i 14,0 mm.	30x54x22 mm – Ø _i 14,0 mm.	30x54x22 mm – Ø _i 14,0 mm.	6403
	30x54x22 mm – Ø _i 10,5 mm.	30x54x22 mm – Ø _i 10,5 mm.	30x54x22 mm – Ø _i 10,5 mm.	6404
	30x54x22 mm – Ø _i 16,0 mm.	30x54x22 mm – Ø _i 16,0 mm.	30x54x22 mm – Ø _i 16,0 mm.	6405

PROCESS CONNECTIONS Tab.5

Type	Hose connections						Threaded connections							
	5,0 mm		6,5 mm		10,0 mm		M 10x1		G 1/8		G 1/4		G 1/2	
901.61-65	PA	A	PA	B	PA	C	PA	E	PA	D	Brass	L	Brass	S
	-	-	PPS	F	PPS	G	PVDF	H	PVDF	J	-	-	-	-
	-	-	-	-	-	-	Brass	N	Brass	M	-	-	-	-
	-	-	-	-	-	-	S. Steel	P	S. Steel	Q	-	-	-	-
901.66-68	-	-	-	-	-	-	Brass	N	Brass	M	Brass	L	Brass	S
	-	-	-	-	-	-	S. Steel	P	S. Steel	Q	S. Steel	R	-	-
901.71-76	PA	A	PA	B	PA	C	PA	E	PA	D	Brass	L	Brass	S
	-	-	PPS	F	PPS	G	PVDF	H	PVDF	J	S. Steel	R	-	-
	-	-	-	-	-	-	Brass	N	Brass	M	-	-	-	-
	-	-	-	-	-	-	V ₂ A	P	S. Steel	Q	-	-	-	-
901.77-78	-	-	-	-	-	-	Brass	N	Brass	M	Brass	L	Brass	S
	-	-	-	-	-	-	S. Steel	P	S. Steel	Q	S. Steel	R	-	-
901.81-82	-	-	PA	B	-	-	-	-	-	-	-	-	-	-
901.91-93	-	-	-	-	-	-	Brass	N	Brass	M	Brass	L	-	-
	-	-	-	-	-	-	-	-	S. Steel	Q	S. Steel	R	-	-

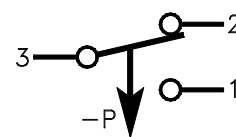
WIRING



901.60

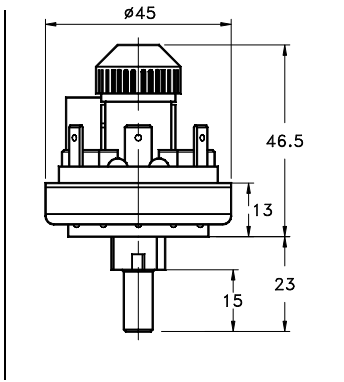
901.80

901.90

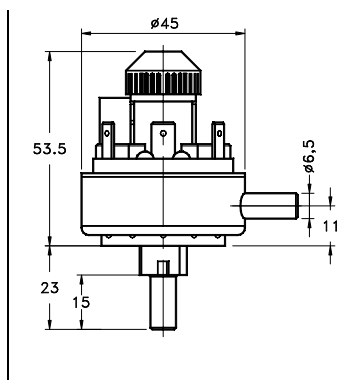


901.70

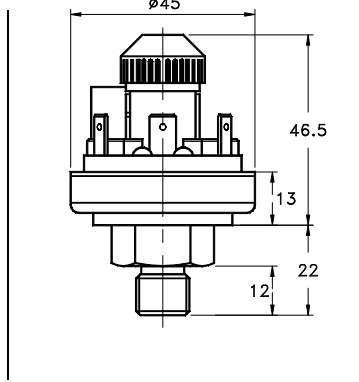
DIMENSIONS mm. Tab.6



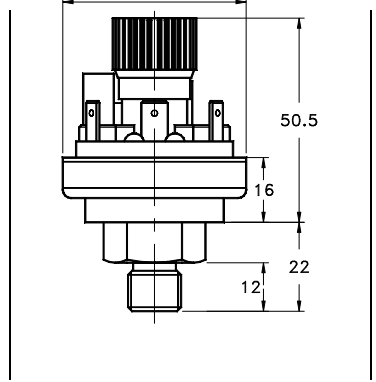
901.60 - 901.70



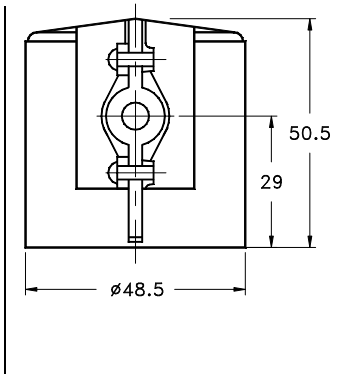
901.80



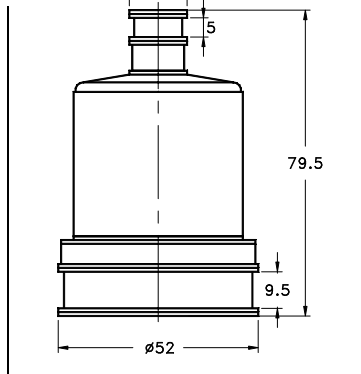
901.60 - 901.70



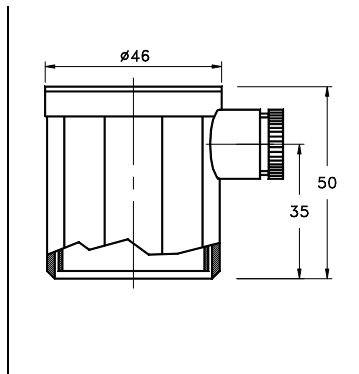
901.90



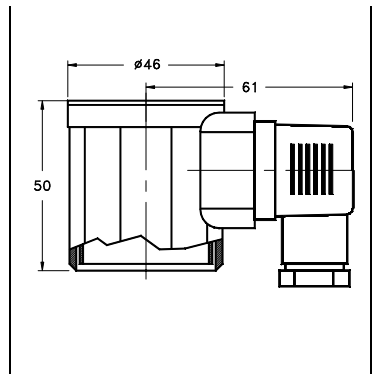
6329 IP44



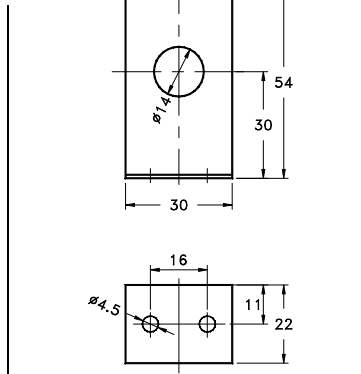
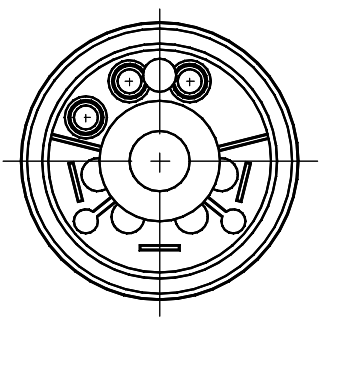
6365 IP54



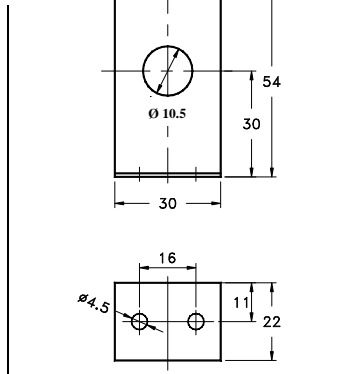
6371 IP54 / 6372 IP65



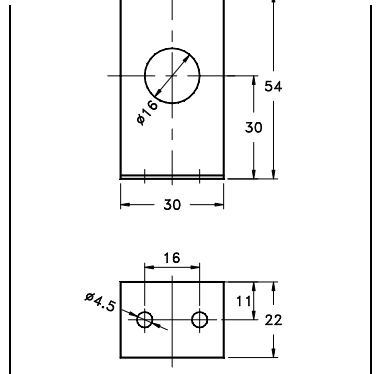
6374 IP54 / 6375 IP65



6403



6404



6405

NOMENCLATURE

901	91	1	1	4	L	4
•						
	•					
		•				
			•			
				•		
					•	
						•

Tab.1	Type
Tab.1-2-3	Setting range
Tab.4	Accuracy
Tab.1-2-3	Max. pressure - standard or extended
Tab.4	Diaphragm material
Tab.5	Process connection material
Tab.4	Electrical contact

6329 IP44	6365 IP54	6371 IP54	Protection cap
6372 IP65	6374 IP54	6375 IP65	Mounting bracket
6403	6404	6405	Mounting bracket

Tab.4-6	Accessories – options
Tab.4-6	Accessories – options