



GENERAL CHARACTERISTICS

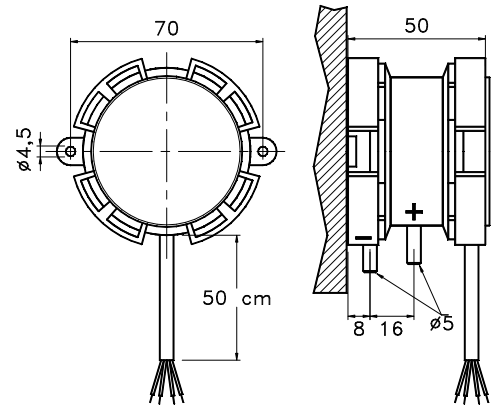
For all applications where it is necessary to detect and electrically convert differential pressure measurements of non-aggressive gases. The differential pressure is introduced via two hose (∅ 5 mm) in the measurement chamber, separated into two parts by a rubber diaphragm. The displacement of the diaphragm is inductively detected and converted into an electrical signal, voltage or current. The electronic circuit is completely separated from the pressure chamber. All instrument components are housed in a plastic enclosure with degree of protection IP65.

- Measuring ranges from 50 to 10000 Pa
- Linearity and hysteresis 0.5%
- Output 0-10V, 4-20mA.
- Easy to Install.
- Degree of protection IP65



DIFFERENTIAL PRESSURE RANGES Tab.1

ΔP measuring ranges	Max static pressure		Code
	Pa	Bar	
0 - 50	0,2	0005	
0 - 100	0,2	0010	
0 - 200	0,2	0020	
0 - 500	0,2	0050	
0 - 1000	0,2	0100	
0 - 2000	0,2	0200	
0 - 4000	0,2	0400	
0 - 6000	0,2	0600	
0 - 10000	0,2	1000	



TECHNICAL DATA Tab.2

Description	2-wires circuit	3-wires circuit	Code
Power supply	-	24Vac / 24Vdc	2510
Output signal	-	0 - 10 V	
Power supply	12 - 30 Vdc	-	2511
Output signal	4 - 20 mA	-	
Measuring element	Rubber diaphragm - calibrated spring		-
Zero error	± 0,75%		-
Linearity + hysteresis	± 0,50%		-
Zero thermal drift	± 0,30% 10K		-
Field thermal drift	± 0,20% 10K		-
Working temperature	0 ÷ 50°C		-
Electrical connection	3 (4) poles cable	500 mm	-
Body	Ultramid / black ABS		-
Degree of protection	IP65		IP65

Options				Code
Indicator	LCD - 3 digit - 9 mm			1
Switch output	Open collector	24V	50mA max	2 2510 only
Adjustment	Potentiometer	0 - 100% Scale		
Hysteresis	Adjustable	0,25 - 5%		
Delay	Adjustable	0 - 7 Sec.		
Function	To be specified	Min	Max	3
Measuring range	Non standard			

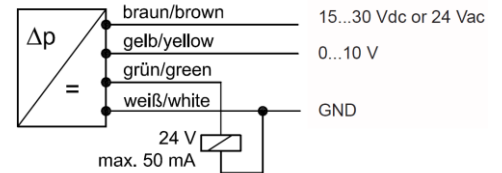
NOMENCLATURE

DS 85	2510	1	060	420	IP65
•					
	•				
		•			
			•		
				•	
					•

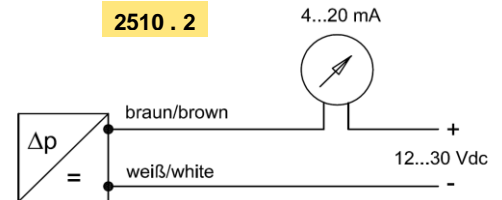
	Name - Type
Tab.2	Power supply code - wiring
Tab.2	Option if required
Tab.1	Measuring range
Tab.2	Output signal
Tab.2	Degree of protection



2510



2510 . 2



2511