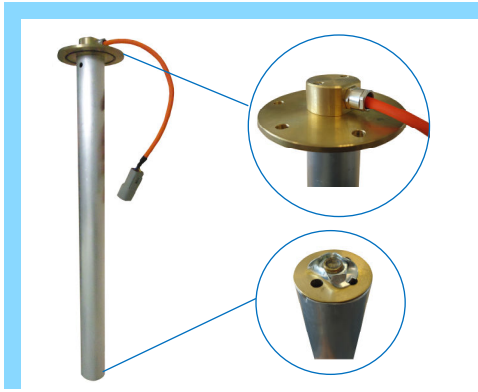




Custom Special Items



Metering and/or control of a liquid moving level with severe working conditions where a rugged mechanical construction is required.



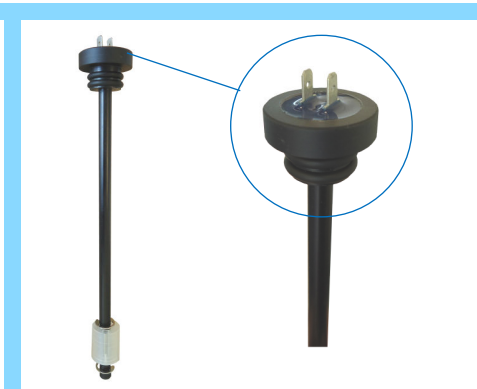
Multi-level switch equipped with integrated connections system for filling and suction of the working liquid in the process.



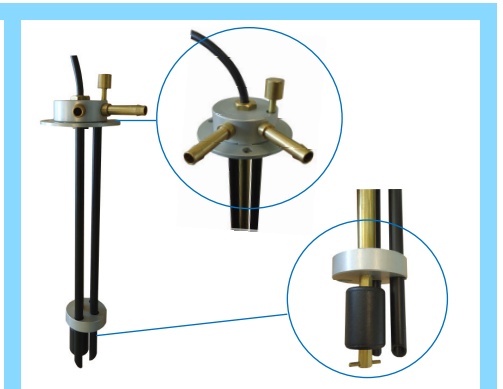
Level switch with still pipe protection for monitoring of the minimum oil level in the engine cups. Process connection 1/2" BSP-M.



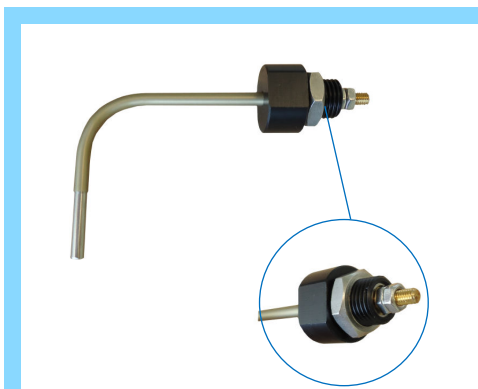
Electrical cable output, with wiring made in according to the customers' requirements.



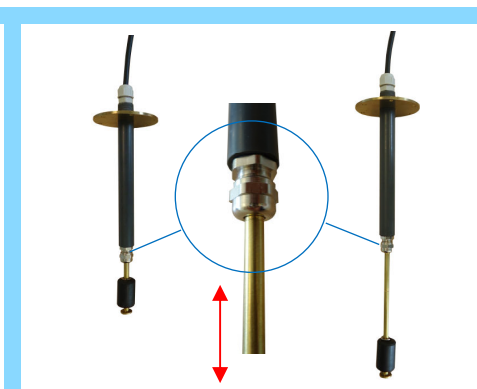
Level control with process connection without thread and double seal OR for fixing in jerricans or plastic containers.



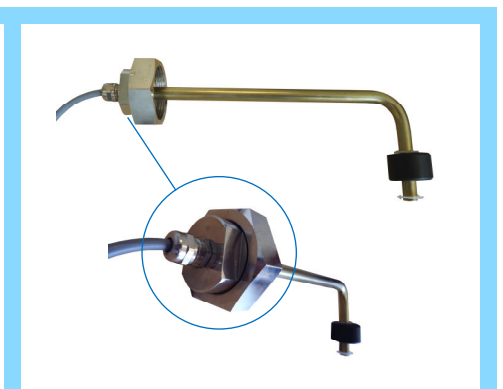
Minimum level control device, with integrated air vent and hose connections for suction and filling of the fuel in the flat tanks.



Conductive level probe for horizontal mounting inside the tank, with mechanical connection and electrode sized in according to the customers' requirements.



Minimum or maximum level control system, with mechanical adjustment of the switching point.

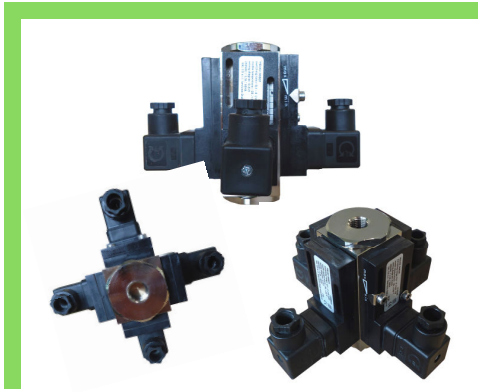


Level control with Rotalock process connection, versions for horizontal or vertical installation.





Custom Special Items



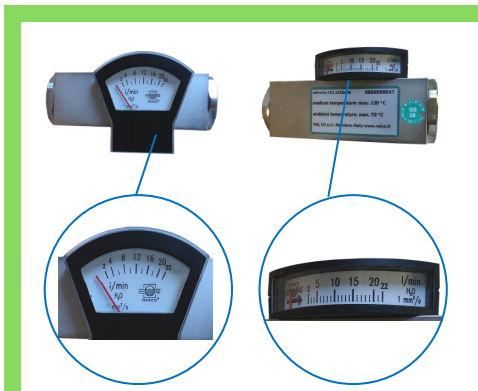
Flow-switch with more electrical heads and adjustable independent alarm thresholds, you can get up to a maximum of n. 4 alarm thresholds.



Flow-switch for industrial applications, equipped with both an adjustable alarm contact and an integrated flow rate display system. Available for pipes up to DN 300.



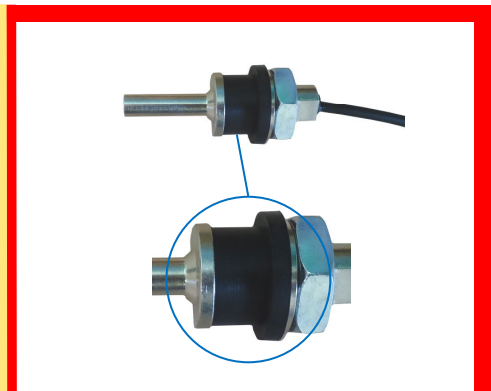
Control of flow and pressure, integrated into a single instrument. The system has a fixed calibration for flow contact and adjustable setting for pressure contact. Process connection is 1/2" BSP-F.



Flow meter indication on a dry scale. Operating pressure up at PN500. The indicator is driven by a magnetic coupling and is not subject to the pressure of the process.



Pressure, differential pressure and vacuum switches with process connections for application in the food industry. Adjustable setting ranges starting from 5/20 mbar up to 7/12 bar.



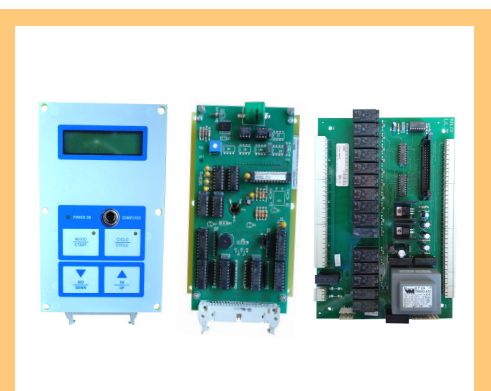
Temperature sensor with a mechanical fastening system without thread, with compression / expansion seal fixing. Mounting on wall of 2 to 6 mm thickness, through a hole of 22 mm diameter.



Temperature sensor with integrated heat sink to protect M12 electrical connection. Versions with measuring element Pt100, Pt1000, NTC, PTC..



Microprocessor-based electronic unit for control and management of working cycle of the equipment and machines in the medical field. Customized management programs.



Microprocessor-based electronic unit for control and management of the process instrumentation in the Industrial field. Customized management programs.

