

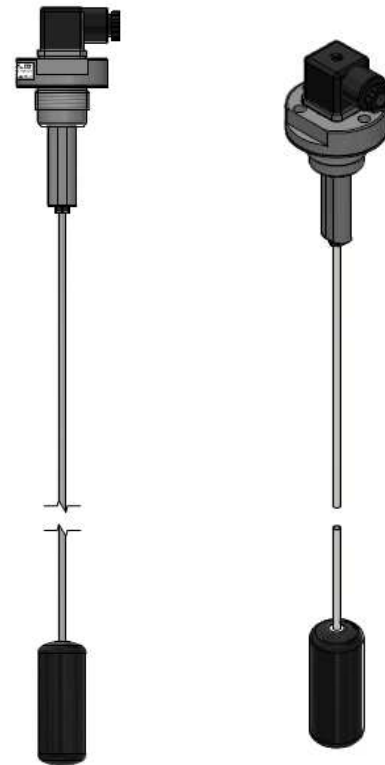
GENERAL CHARACTERISTICS

ADJUSTABLE level control for the monitoring of liquids both in industrial and civil environment. Proposed in 2 standard versions of rod length, all intermediate lengths are obtained by the user simply shortening the rod of the float.



The principle of operation of these instruments is based on the drive of a micro-switch, located in the head of the instrument, as a result of the hydrostatic thrust exerted by the liquid on the float. The absence of moving parts guarantees extreme ruggedness and a limited need for maintenance.

- **ADJUSTABLE** switching point.
- Closed cell float.
- SPDT micro-switch 3A
- Operating ambient temperature -30 / +55 °C - 90% RH.
- Easy mounting, threaded or flanged.
- DIN 43650-A Plug.
- Minimum degree of protection IP65.



TECHNICAL DATA

Tab.1

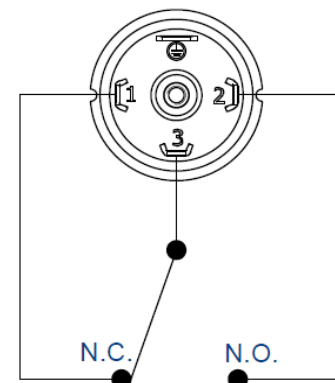
	Description						Code
Float	SPANSIL –Butadiene Acrylonitrile Copolymer closed cells						B77
	Ø 30 x 77 mm		S.G. 0, 4		10 Bar		
Rod length L0 mm	AISI 316	0500		1000		S. L0	
Process connection	PA66	Threaded / Flanged	1" UNI 228/1 male thread		SW46		25GPMV
			Double fixing (2 or 3 holes)		Ø 55 mm		
Electrical contact	SPDT	Changeover contact	250Vac	(cosφ=1)	3A	7	
			30Vdc	-	5A		
Electrical output	DIN 43650-A Plug		IP 65		S1		
Max. temperature °C	90 °C						D
Sealing gasket	NBR flat gasket anti-oil						1

WIRING

Tab.2

I	Independent	Separately wired contact
3	SPDT	Contact status in no level condition

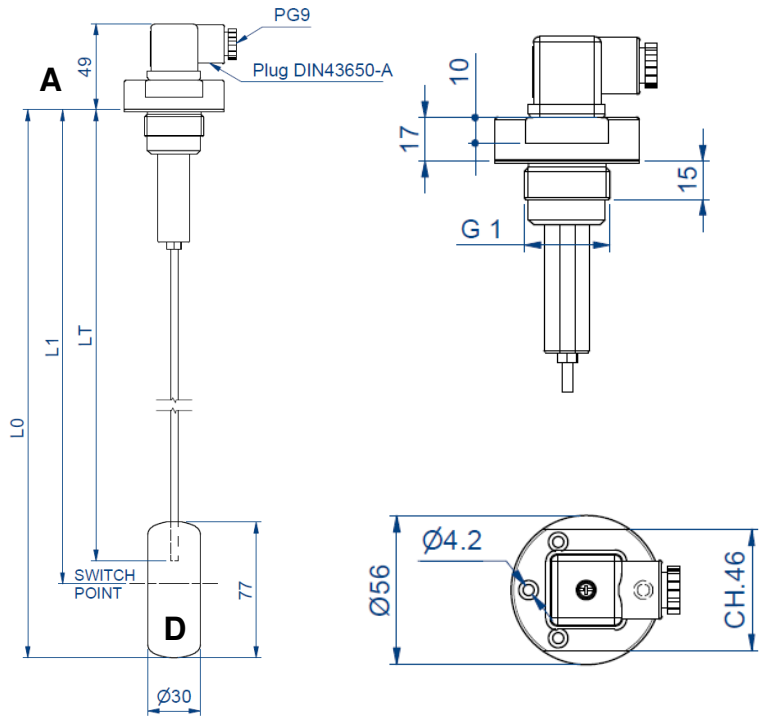
SPDT CONTACT



DIMENSIONS

Tab.3

Switch point	LT		Switch point	LT	
	γ = 1	γ = 0,8		γ = 1	γ = 0,8
160	145	161	600	602	615
180	166	181	620	623	635
200	187	202	640	643	656
220	207	223	660	664	677
240	228	243	680	685	697
260	249	264	700	706	718
280	270	284	720	727	739
300	290	305	740	747	759
320	311	326	760	768	780
340	332	346	780	789	801
360	353	367	800	810	821
380	373	388	820	830	842
400	394	408	840	851	862
420	415	429	860	872	883
440	436	450	880	893	904
460	457	470	900	913	924
480	477	491	920	934	945
500	498	512	940	955	966
520	519	532	960	976	986
540	540	553	980	996	1007
560	560	573	1000	1017	1028
580	581	594	-	-	-



Dimensions in mm.

SETTING INSTRUCTIONS

Adjustment of the switch point and rod length

- Remove the float (D) from the metal rod by rotating and pulling it.
- Measure the rod from the top of the connector (A) to the detected value in the table Tab.3 according to the desired switch point and the specific gravity of the liquid used.
- The measurement should be carried out with the stainless steel tube fully extended outwards.
- Cut the stainless steel tube at length just measured with a pipe-cutter for 4 mm Ø and eliminate cutting burrs.
- Replace the float (D) taking care not to damage the silicone ring mounting inside the float itself.

NOMENCLATURE

R1-M	B77	7	0500	S	25GPMV	S1	D	1	I3
•									
	•								
		•							
			•						
				•					
					•				
						•			
							•		
								•	
									•

	Type
Tab.1	Float
Tab.1	Electrical contact
Tab.3	Total length = L0 mm.
Tab.1	Rod material
Tab.1	Process connection
Tab.1	Electrical output
Tab.1	Temperature class
Tab.1	Sealing gasket
Tab.2	Wiring