

GENERAL CHARACTERISTICS



Visual indication piston flow switch float measuring principle.
The flow working range depends from the differential pressure generated in the flow chamber. The adjustment is very simple and the setting mechanism has a safe locking system.
Electrical connection by DIN 43650-A plug.

- High switch accuracy
- Hermetic separation of mechanical and electrical components
- Free installation position
- ATEX version available

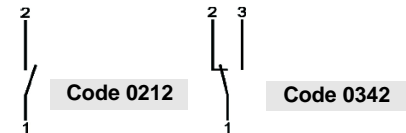


TECHNICAL DATA Tab.1

DN	Ø	Type	P max Bar	T max °C		Adjustable range l/min H2O	Code range
				S	H		
008 010 015	1/4"	UGV-008.GM	10	100	160	0,2 - 4	004
	3/8"	UGV-010.GM				0,5 - 6	006
	1/2"	UGV-015.GM				0,5 - 8	008
						0,5 - 14	014
015	1/2"	UGV-015.GM	10	100	160	2 - 22	022
						1 - 28	028
020	3/4"	UGV-020.GM	10	100	160	1 - 45	045
020 025	3/4" 1"	UGV-020.GM UGV-025.GM	10	100	160	2 - 80	080
						6 - 90	090
025	1"	UGV-025.GM	10	100	160	6 - 110	110
032	1.1/4"	UGV-032.GM	10	100	160	15 - 150	150
						50 - 220	220
						50 - 250	250

DN Thread UNI 228/1

Accuracy ± 10% F.S.
Hysteresis 15% - minimum 0,5
Pressure drop 0,02 to 0,8 bar



Adjustable ranges are indicated for horizontally decreasing flow

MATERIALS Tab.2

	GM	GK
Housing (*)	Anodized aluminium	Anodized aluminium
Sight glass	Duran® 50	Duran® 50
Piston	Brass	St. steel 1.4571
Spring	St. steel 1.4571	St. steel 1.4571

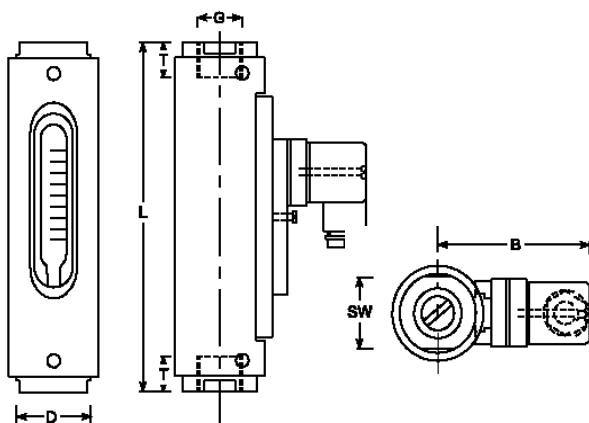
(*) non wetted part

ELECTRICAL DATA Tab.3

Description	Characteristics				
Contact	Reed	N.A. SPDT(*)	250V	3,0A	100VA
			250V	1,5A	50VA
Electrical entry	Plug		DIN 43650-A	IP65	
			M12x1	IP67	

(*) minimum load 3V

DRAWING



DIMENSIONS - mm

Range	DN	SW	D	B	T	L	Kg
004							
006	008				14	132	0,63
	010	32	43	73	14	132	
	015				15	135	
014							
022	015	32	43	73	15	135	0,65
028							
045	020	32	43	73	18	167	0,85
080	020 025	41	50	76	19	164	1,00
						184	
110	025	41	50	76	19	184	1,00
150		50	55	79	21	216	1,30
220	032	55	60	81	21	210	1,70
250		50	55	79	21	222	1,40

NOMENCLATURE

UGV	008	GM	002	IP65-S	0212
•					
	•				
		•			
			•		
				•	
					•

	Type
Tab.1	Size and connections thread
Tab.2	Material
Tab.1	Adjustable range
Tab.1-3	Protection class – Temperature class
Tab.1	Wiring – Contact type