

GENERAL CHARACTERISTICS



Piston flow switch float measuring principle. The flow working range depends from the differential pressure generated in the flow chamber. The adjustment is very simple and the setting mechanism has a safe locking system.

Electrical connection by DIN 43650-A plug.

- Flow visual indication
- High switch accuracy
- Hermetic separation of mechanical and electrical components
- Free installation position



TECHNICAL DATA Tab.1

DN	Ø	Type	P max Bar	T max °C		Adjustable range l/min H ₂ O	Code Range
				S	H		
015	1/2"	VO.V2-015.GM	16	100	160	0,2 - 0,5	0005
						0,3 - 1	001
						0,7 - 2	002
						1,6 - 4	004
						3,0 - 8	008
						4,5 - 12	012
						6,0 - 15	015
						8,0 - 20	020
						9,5 - 24	024
						12 - 28	028

DN	Thread	UNI 228/1
Accuracy	± 10% F.S.	
Hysteresis	15% - minimum 0,5	
Pressure drop	0,02 to 0,3 bar	

Adjustable ranges are indicated for horizontally decreasing flow

MATERIALS Tab.2

	GM	GK
Housing (*)	Anodized aluminium	Anodized aluminium
Sight glass	Duran® 50	Duran® 50
Piston	Brass	St. steel 1.4571
Spring	St. steel 1.4571	St. steel 1.4571

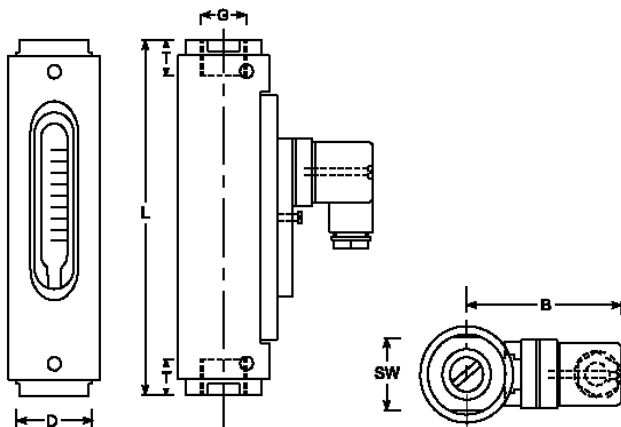
(*) non wetted part

ELECTRICAL DATA Tab.3

Description	Characteristics				
	Contact	Reed	N.A.	250V	3,0A
		SPDT(*)	250V	1,5A	50VA
Electrical entry	Plug		DIN 43650-A		IP65
			M12x1		IP67

(*) minimum load 3V

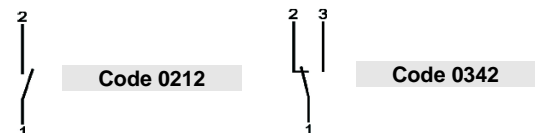
DRAWING



DIMENSIONS - mm

DN	SW	D	B	T	L	Kg
015	27	32	53	14	114	0,30

WIRING Tab.4



NOMENCLATURE

VO.V2	015	GM	002	IP65-S	0212
•					
	•				
		•			
			•		
				•	
					•

	Type
Tab.1	Size and connections thread
Tab.2	Material
Tab.1	Adjustable range
Tab.1-3	Protection class – Temperature class
Tab.4	Wiring – Contact type