

GENERAL CHARACTERISTICS



The magnetic trap filters are composed of a body that houses a filtering basket made of stainless steel, inside which is mounted a magnetic assembly. The basket filter traps any impurities in general, while the magnetic candle traps the ferrous particulate. The basket and the magnetic assembly can be easily inspected by removing the cap on the filter body.

This accessory is recommended to protect the flow switches piston where the presence of iron impurities may be origin of malfunction.

- Combined filtration with separator of ferrous particulate
- Easy maintenance and cleaning.
- Simple and efficient protection in hydraulic circuits.



TECHNICAL DATA

Tab.1

Ø	Type – DN	P max bar	T max °C	Q max m³/h	ΔP bar a Q max	Mesh µm	H	L	H1	SW	SW1	X	Weight Kg
1/2"	ZV-015	16	150	2,3	0,15	600	42	66	84	25	22	11	0,30
3/4"	ZV-020	16	150	2,7	0,15	600	50	77	100	31	27	14	0,40
1"	ZV-025	16	150	4,4	0,15	600	62	90	124	38	32	14	0,65
1.1/4"	ZV-032	16	150	5,1	0,15	600	78	112	156	47	41	16	1,05
1.1/2"	ZV-040	16	150	7	0,15	600	82	120	164	54	46	16	1,40
2"	ZV-050	16	150	11,9	0,15	600	95	150	190	66	56	20	2,20
2.1/2"	ZV-065	16	150	18,4	0,15	600	125	220	250	85	70	22	3,80
3"	ZV-080	16	150	30	0,15	600	140	250	280	100	75	25	5,80

Measures in mm. see Tab.3

Thread Ø Parallel UNI 228/1 G

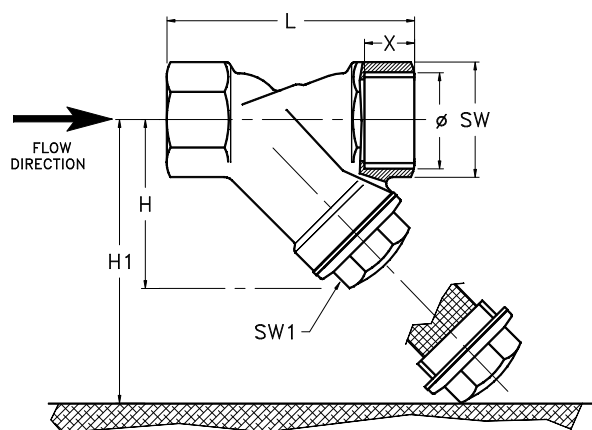
MATERIALS

Tab.2

DN	Standard All sizes	Option 015 – 020 – 025
Body	Bronze Rg5/Rg6 R	Brass O
Magnetic assembly	Barium-Ferrite	Barium-Ferrite
Filtering basket	S.S AISI-304	S.S. AISI-304
Sealing gasket	Copper	Without asbestos fiber

DIMENSIONS mm.

Tab.3



NOMENCLATURE

ZV	040	G R	600
•			
	•		
		•	
			•

-	Name - Type
Tab.1	Process connection dimensions
Tab.1-2	Body material and thread
Tab.1	Filtration grade