

GENERAL CHARACTERISTICS



The flow indicator NH1 allows a visual control of the passage of transparent liquids. The measuring element is a piston and its position is determined by the speed of the flow. An opposing spring allows the use of the device both in horizontal and vertical position. The tube display is made of acrylic material.



- 360° visible indication.
- Rotating viewer pipe and scale.
- Easy to install.
- Good repeatability.

TECHNICAL DATA

Tab.1

Ø	DN Code	Q max. l/min	Measuring range l/min H ₂ O	ΔP max Bar	P max Bar (20°C)	T max °C	Weight Kg
1/2"	015	20	3 - 15	0,2	10	65	0,3

Thread Ø

G	UNI 228/1
Parallel	

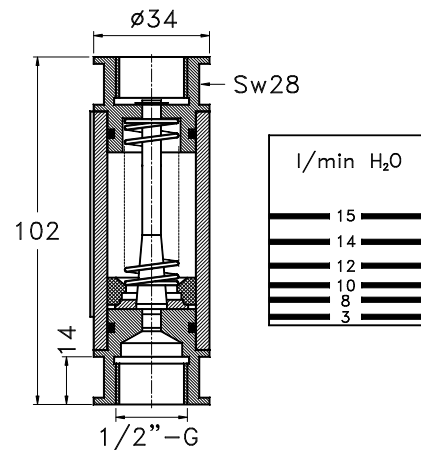
MATERIALS

Tab.2

	Description	Code
Fittings	Nickel plated brass	M
Piston	POM	
Spring	Stainless steel 1.4310	
Viewer pipe	Acrylic	
Gasket	Viton	

DIMENSIONS

mm.



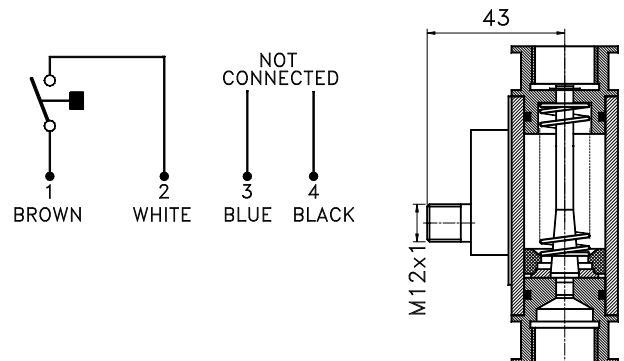
INSTALLATION

The mounting can take place in any position, the only precaution is to avoid the connection with rigid pipes if not in perfect alignment with the instrument.

OPTION – ELECTRICAL CONTACT

Tab.3

	Description	Code
Reed contact - NO	250V – 0,5A – 10VA	NH1K
Connection	M12x1 – 4 poles	
Degree of protection	IP65	



NOMENCLATURE

NH1	015G	M	015
•			
•			
	•		
		•	
			•

	Type
Tab.3	NH1K – electrical contact
Tab.1	Process connection dimensions and thread
Tab.2	Fittings material
Tab.1	Measuring range