

GENERAL CHARACTERISTICS

Temperature probe in compact design with integrated display IP67, for a simple and efficient control of temperature in industrial applications.

PT 1000 - DIN EN 60751 class A, 2 conductors

- Rugged construction.
- Integrated data logger + export file data .csv
- Display 4 digit – 7 segment 180° flippable – 1 decimal
- Parameterization via NFC – APP My Valco – Android
- Display and electrical connection are independently rotatable 335°/343°
- Analogue output switchable mA or V
- Temperature measuring range adjustable, 50 ... 100 %
- Switching output 2 x transistors PNP - ≤ 0.5A



TECHNICAL DATA

Tab.1

PT1000		Accuracy @ 25°C	+/-0.5% FS	
2 wires		Ambient temp.	-25°C...+85°C	
-50°C ... +150°C	Adjustable 50..100 % FS	Logger	3518 points 0.1...999.9s	
-58°F ... +302°F				
Class	A	standard	Switch	2 x PNP

PROCESS CONNECTIONS AND MATERIALS

Tab.2

Dimensions			Thread		Type	
06	08	15	G	N	F	R
1/8"	1/4"	1/2"	UNI 228/1	NPT	Fix	Adjustable

Tri-Clamp On request

Materials wetted parts	Materials housing head
316-L 1.4404/1.4435	S Steel die cast galvanised Display plastic

ELECTRICAL OUTPUT

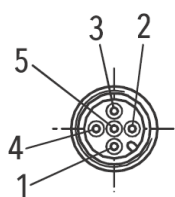
Tab.4

Code	Output signal	Characteristics	
420	4 - 20 mA	Offset correction of analogue output and display indication	+/-5%
005	0...5 Vdc		
106	1...6 Vdc	Inverse-polarity protection	Integrated
010	0...10 Vdc		

SPECIFICATIONS

Supply voltage	15...30 Vdc
Current consumption	≤30mA
Measuring range adjustment	50...100% Nominal
Temperature units	°C - °F

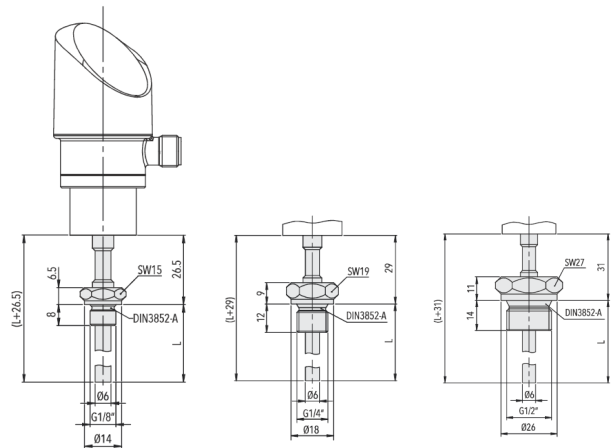
WIRING



- 1 + Supply voltage
- 2 -
- 3 Out analogue
- 4 SP1 (switch PNP)
- 5 SP2 (switch PNP)

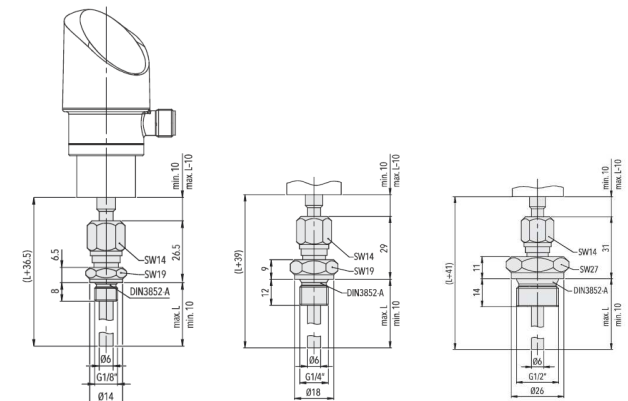
PROBE DIMENSIONS (Fix thread – F)

Tab.2.1



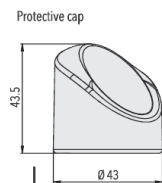
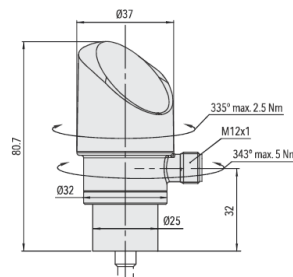
PROBE DIMENSIONS (Adjustable Thread - R)

Tab.2.2



HEAD DIMENSIONS

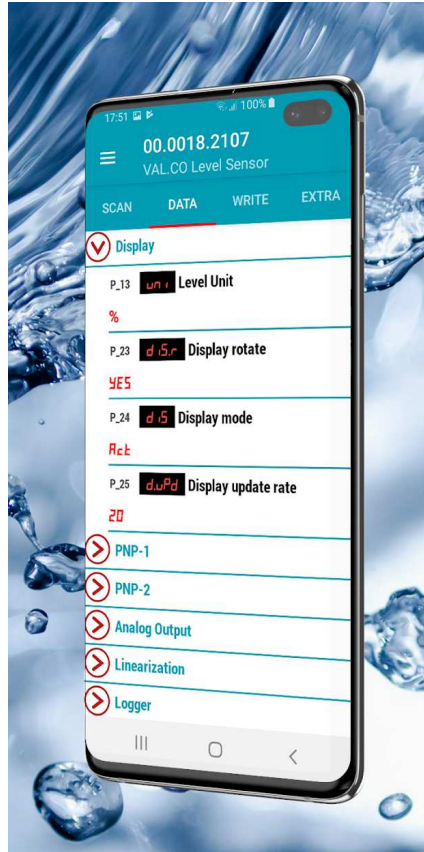
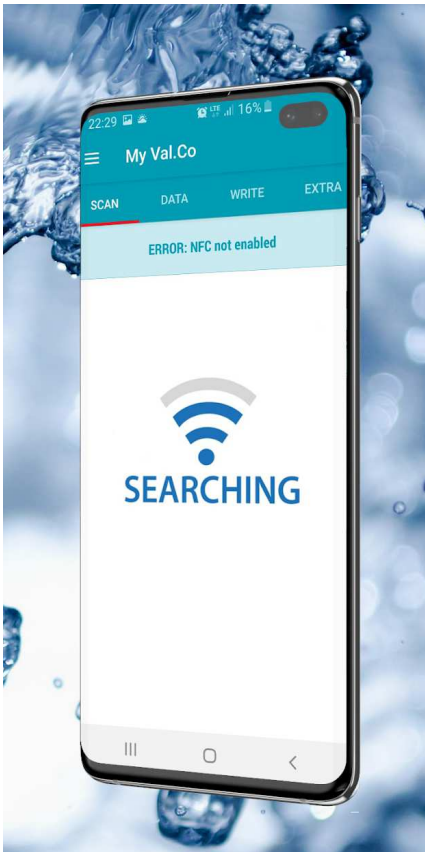
Tab.5



PCAP

NOMENCLATURE

VSTD	PT1000A	15GS	F	0100	420	PCAP		
•								Type
	•							Tab.1 Sensing element - class
		•						Tab.2 Process connection and material
			•					Tab.2.1.2 Thread type (fix or adjustable)
				•				Probe length L0
					•			Tab.4 Electrical output / Degree of protection
						•		Tab.5 Protection cap silicone if required



..... don't forget to download MyValco App
the fastest way to setup your device

