

GENERAL CHARACTERISTICS

The principle of operation is of potentiometric type, based on the gradual shutdown of a chain of resistors and reed contacts, placed inside the guiding rod, by a magnetic float. The only moving element is the float that moves, for buoyancy, along the measuring rod. This ensures a high degree of reliability.

Set point and output signal are adjustable on the device or more easily remotely via the My-Valco smartphone App

- **Stainless steel – AISI 316**
- Measuring resolution 5 – 10 – 20 mm.
- Local indicator 4 digit (9999)
- Display and electrical connection are independently rotatable 335°/343°
- Analogue output switchable mA or V
- Parametrization via NFC communication system through APP
- Integrated data logger function
- Up to 6m length
- Maximum working pressure 50 Bar
- Operating ambient temperature -30/+55°C UR 90%.
- Standard working temperature up to 105°C. Executions up to 130°C on request.
- Minimum degree of protection IP65.



..... don't forget to download MyValco App
.....the fastest way to setup your device



FLOATS

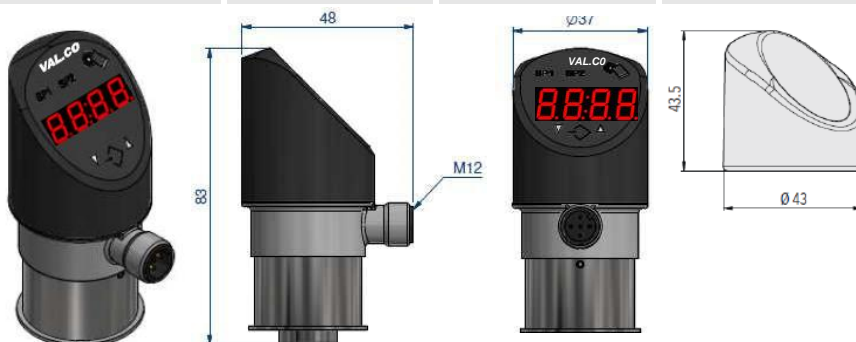
Tab.1



| | | | | | | |
|----------------------------------|----------------------------|------|------|-----|---------|---------|
| Material | Stainless steel – AISI 316 | | | | | |
| Specific gravity | 0,75 | 0,55 | 0,78 | 0,7 | 0,65 | 0,6 |
| Measuring resolution - mm | 5 | 5 | 20 | 5 | 10 – 20 | 10 – 20 |
| Max. bar | 30 | 10 | 15 | 50 | 40 | 15 |
| Max. °C - Class | L = 105°C | | | | | |
| on request | N = 130°C | | | | | |

ELECTRICAL OUTPUT - DATA - DIMENSIONS mm Tab.2

| DSV | | P0 | | TECHNICAL DATA | |
|--|--|--|-----------------------------------|--|---|
| IP65 | Adjustable head display 343° max rotatable | M12x1 male connection 343° max rotatable | Display protective cup on request | Output signal | 4-20 mA, 0-5 VDC, 1-6 VDC 0-10 VDC, switchable mA or V |
| IP67 with connection cable M12x1 plug on request KPU02SG | | | | Switching output | N. 2 SW - PNP transistors |
| | | | | Display units | mm, inch, user scale, %FS |
| | | | | Logger | Ring buffer: 3518 data points Sampling time 0.1 ... 999.9 s. Off (0) |
| | | | | All parameters can be directly set on the device using the capacitive keys or more simply from your mobile phone via MyValco App | |
| | | | | Factory setting | Output signal 4...20 mA Display unit in mm |



PROCESS CONNECTIONS

Tab.3

| All type of floats All type of thread | Float type | Installation from outside | | | | | | |
|--|------------|---------------------------|--------------|--------------|----------|----------------|----------------|-----------------|
| | | 25 1" | 32 1-1/4" | 40 1-1/2" | 50 2" | FSHX Flange | DN65 Flange | DN125 Flange |
| | S29 | G | G-C-N | G-C-N | - | ● | - | - |
| | S32 | G | G-C-N | G-C-N | - | ● | - | - |
| | S40 | - | - | G | G-C-N | - | - | - |
| | S52S | - | - | - | G-C-N | - | ● | - |
| | S52 | - | - | - | G-C-N | - | ● | - |
| | S100 | - | - | - | - | - | - | ● |

Male thread

| G | C | N |
|-----------------------|--------------------|----------------|
| Parallel UNI 228/1 | Conical UNI 7/1 | Conical NPT |

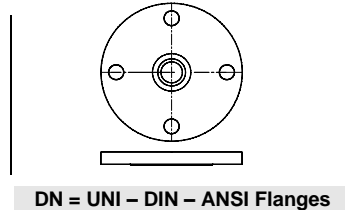
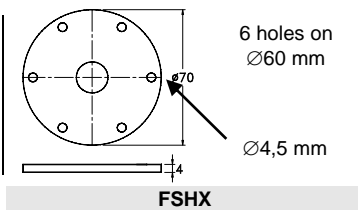
Available materials

| S |
|----------|
| AISI-316 |

DN = Available materials

| S | C |
|----------|---------------------|
| AISI-316 | Steel On request |

FLANGES Dimensions in mm.

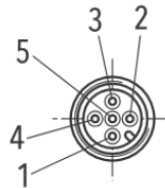


A Flanged connection
A1 Threaded connection

WIRING

| | |
|------------------|---------------------------|
| Input protection | IP67 - with KPU02SG cable |
| Connection | M12x1 - 5 pole |

Pin configuration



| | |
|---|-----------------------------|
| 1 | + |
| 2 | Analog output |
| 3 | - |
| 4 | SW1 - PNP transistor switch |
| 5 | SW2 - PNP transistor switch |

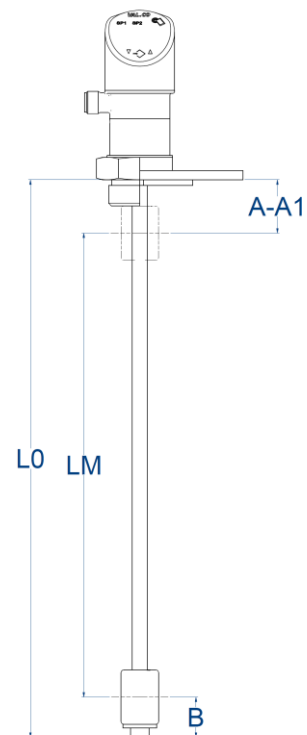
DIMENSIONS mm.

Tab.4

The dimensions L0 and LM refer to the stop of the fitting (A1) or flange (A) connection.
Tolerance on dimension L0 and LM ± 3 mm.

| | S29 | S32 | S40 | S52 (S) | S52 | S100 |
|----|-----|-----|-----|---------|-----|------|
| A | 15 | 15 | 25 | 25 | 35 | 50 |
| A1 | 35 | 35 | 45 | 45 | 55 | - |
| B | 25 | 25 | 30 | 30 | 40 | 60 |

| | | | |
|----------------------------|---|-----------------|------------|
| Damping tube On request | - | - S AISI-316 | - V PVC |
|----------------------------|---|-----------------|------------|



NOMENCLATURE

| LCD | S52 | 10 | 1300 / 1400 | S | - S | 50 | G | S | DSV | L |
|-----|-----|----|-------------|---|-----|----|---|---|-----|---|
| ● | | | | | | | | | | |
| | ● | | | | | | | | | |
| | | ● | | | | | | | | |
| | | | ● | | | | | | | |
| | | | | ● | | | | | | |
| | | | | | ● | | | | | |
| | | | | | | ● | | | | |
| | | | | | | | ● | | | |
| | | | | | | | | ● | | |
| | | | | | | | | | ● | |
| | | | | | | | | | | ● |

| | | | | | | | |
|----|----|----|---|---|---|-------|----------------------|
| K | PU | 02 | S | G | 2m. length connection cable M12x1 plug IP67 | Tab.2 | Accessory on request |
| P0 | | | | | Display protection cup | Tab.2 | Accessory on request |